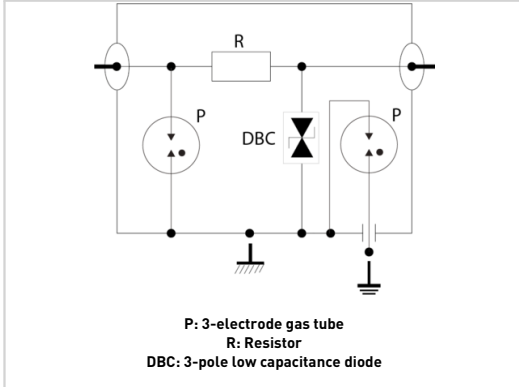




- Coaxial surge protector
- I_{max} : 20 kA
- Up to 1 GHz
- Connectors : BNC, F, TNC, TV(SE) EJ167



Installation		
Operating Temperature(Min)	°C	-40.0000
Operating Temperature(Max)	°C	85.0000
Operating Temperature(Min)	°F	-40.0000
Operating Temperature(Max)	°F	85.0000
Operating Relative Humidity(Max)	%RH	95
Operating Altitude(Max)	m	2000.0000
Operating Altitude(Max)	Ft	6500.0000
Housing/Enclosure material		Metal + Plastic
Mounting		Surface mount
IP Environmental rating(IP)		IP20
Installation Location		outdoor
Accessories		90° Stainless steel bracket
Product Dimension(L)	mm	61.0000
Product Dimension(H)	mm	24.0000
Product Dimension(W)	mm	48.0000
Product Dimension(L)	In	2.4000
Product Dimension(H)	In	0.9400
Product Dimension(W)	In	1.8800
Miscellaneous		
Individual Pack		No
Storage Temperature(Min)	°C	-40.0000
Storage Temperature(Max)	°C	85.0000
Storage Temperature(Min)	°F	-40.0000
Storage Temperature(Max)	°F	85.0000
Installation		
Cable type		Coax
Electrical Characteristics		
Return Loss(Minimum)	db	>20
VSWR(Maximum)	:1	<1.2:1
Max Discharge Current(I _{max} [8/20µs x 1])	kA	20.0000
Max Total Discharge Current(I _{max} [8/20µs x 1])	kA	20.0000
Max Discharge Current(I _{max} [8/20µs x 1])	kA	20.0000
Max Discharge Current(I _{max} [8/20µs x 1])	kA	20.0000
Max Discharge Current(I _{max} [8/20µs x 1])	kA	20.0000
DC Pass		Yes
Mechanical Characteristics		
Technology		GDT + Diode
Dimensions		See diagram
Standards		
Standards compliance		IEC 61643-21 / EN 61643-21 / UL497C / UL497E
Part number		
64270		

