

# 527 Series

Micrometer-driven Calibrated Phase Shifters

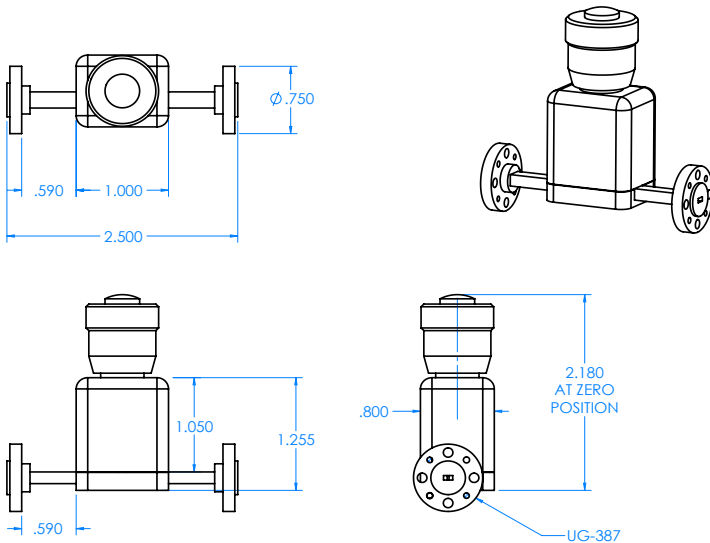


## Description

Mi-Wave's 527 Series Phase Shifters are designed for operation in waveguide sizes from 18 to 220 GHz. This resolution is advantageous since the total travel of the phase shift vane is quite short at high frequencies.

- *Low VSWR*
- *Micrometer Readout*
- *Smooth Anti-Backlash Operation*

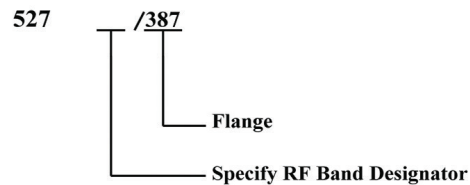
The precise micrometer readout enhances setting and repeatability of these devices tested. Each phase shifter is at the specified frequency. Calibrations are supplied at an additional cost.



Dimensional Specifications				
Model No.	A		B	
	in.	mm	in.	mm
527F	2.0	50.8	4.0	101.6
527D	2.0	50.8	4.0	101.6
527G	2.0	50.8	4.0	101.6

Technical Specifications (typical)			
Model No.	527F	527D	527G
Frequency Band (GHz)	90–140	110–170	140–220
VSWR Max.	1.15	1.15	1.15
Phase Shift (degrees) Min.	180	180	180
Accuracy (°)	+3.0	+3.0	+3.0
Weight (oz)	5.5	5.5	5.5

## Ordering Information



## OTHER BANDS AVAILABLE:

From 18 to 110 GHz