



Type N Male Positive Stop™ for 1/2 in AL4RPV-50, LDF4-50A, HL4RPV-50 cable

- This product is part of the CommScope Wired for Wireless® Solution

## Product Classification

<b>Product Type</b>	Wireless and radiating connector
<b>Product Brand</b>	HELIAX®   Positive Stop™
<b>Ordering Note</b>	CommScope® standard product (Global)

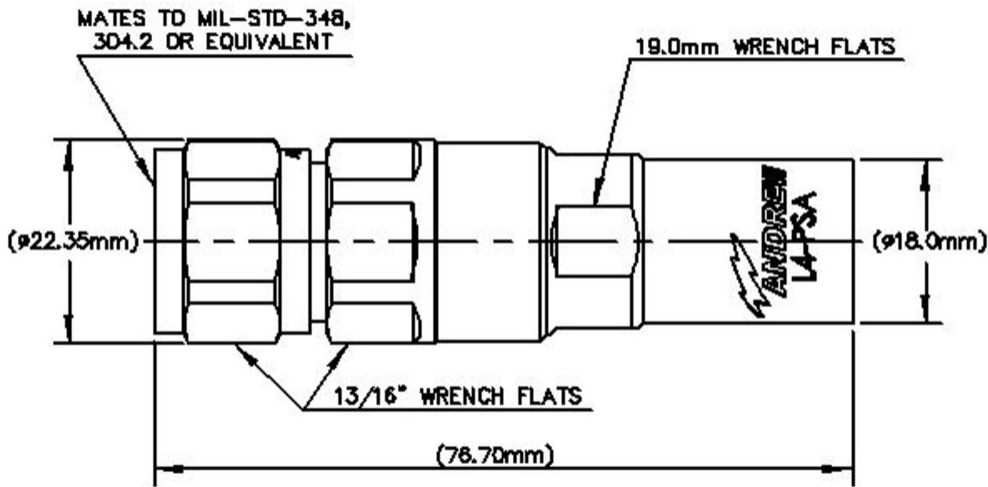
## General Specifications

<b>Body Style</b>	Straight
<b>Cable Family</b>	AL4-50
<b>Harmonized System (HS) Code</b>	854420 (Coaxial cable and other coaxial electric conductors)
<b>Inner Contact Attachment Method</b>	Captivated
<b>Inner Contact Plating</b>	Silver
<b>Interface</b>	N Male
<b>Mounting Angle</b>	Straight
<b>Outer Contact Attachment Method</b>	Ring-flare
<b>Outer Contact Plating</b>	Trimetal

## Dimensions

<b>Length</b>	76.71 mm   3.02 in
<b>Diameter</b>	22.35 mm   0.88 in
<b>Nominal Size</b>	1/2 in

## Outline Drawing



## Electrical Specifications

<b>3rd Order IMD at Frequency</b>	-116 dBm @ 910 MHz
<b>3rd Order IMD Test Method</b>	Two +43 dBm carriers
<b>Insertion Loss, typical</b>	0.05 dB
<b>Average Power at Frequency</b>	0.6 kW @ 900 MHz
<b>Cable Impedance</b>	50 ohm
<b>Connector Impedance</b>	50 ohm
<b>dc Test Voltage</b>	2000 V
<b>Inner Contact Resistance, maximum</b>	2 mOhm
<b>Insulation Resistance, minimum</b>	5000 MOhm
<b>Operating Frequency Band</b>	0 – 8800 MHz
<b>Outer Contact Resistance, maximum</b>	0.3 mOhm
<b>Peak Power, maximum</b>	10 kW
<b>RF Operating Voltage, maximum (vrms)</b>	707 V
<b>Shielding Effectiveness</b>	-130 dB

## VSWR/Return Loss

Frequency Band	VSWR	Return Loss (dB)
45–1000 MHz	1.03	39

1010-2200 MHz	1.03	37
2210-3000 MHz	1.05	33
3010-4000 MHz	1.1	27
4010-6000 MHz	1.26	19
6010-8000 MHz	1.33	17

## Mechanical Specifications

<b>Attachment Durability</b>	25 cycles
<b>Connector Retention Tensile Force</b>	889.64 N   200 lbf
<b>Connector Retention Torque</b>	5.42 N-m   47.998 in lb
<b>Coupling Nut Proof Torque</b>	4.52 N-m   39.997 in lb
<b>Coupling Nut Retention Force</b>	444.82 N   100 lbf
<b>Coupling Nut Retention Force Method</b>	MIL-C-39012C-3.25, 4.6.22
<b>Insertion Force</b>	66.72 N   15 lbf
<b>Insertion Force Method</b>	MIL-C-39012C-3.12, 4.6.9
<b>Interface Durability</b>	500 cycles
<b>Interface Durability Method</b>	IEC 61169-16:9.5
<b>Mechanical Shock Test Method</b>	MIL-STD-202, Method 213, Test Condition I

## Environmental Specifications

<b>Operating Temperature</b>	-55 °C to +85 °C (-67 °F to +185 °F)
<b>Storage Temperature</b>	-55 °C to +85 °C (-67 °F to +185 °F)
<b>Corrosion Test Method</b>	MIL-STD-1344A, Method 1001.1, Test Condition A
<b>Immersion Depth</b>	1 m
<b>Immersion Test Mating</b>	Unmated
<b>Immersion Test Method</b>	IEC 60529:2001, IP68
<b>Moisture Resistance Test Method</b>	MIL-STD-202F, Method 106F
<b>Thermal Shock Test Method</b>	MIL-STD-202F, Method 107G, Test Condition A-1, Low Temperature -55 °C
<b>Vibration Test Method</b>	IEC 60068-2-6
<b>Water Jetting Test Mating</b>	Unmated
<b>Water Jetting Test Method</b>	IEC 60529:2001, IP66

## Packaging and Weights

**Weight, net**

94.71 g | 0.209 lb

## Regulatory Compliance/Certifications

### Agency

### Classification

CHINA-ROHS

Above maximum concentration value

ISO 9001:2015

Designed, manufactured and/or distributed under this quality management system

REACH-SVHC

Compliant as per SVHC revision on [www.commscope.com/ProductCompliance](http://www.commscope.com/ProductCompliance)

ROHS

Compliant/Exempted



### \* Footnotes

**Insertion Loss, typical** 0.05v`freq (GHz) (not applicable for elliptical waveguide)

**Immersion Depth** Immersion at specified depth for 24 hours