



1.8m | 6ft ValuLine® Low Wind Load Antenna, dual-polarized, 5.925 – 7.125 GHz

Product Classification

| | |
|----------------------|-------------------|
| Product Type | Microwave antenna |
| Product Brand | ValuLine® |

General Specifications

| | |
|------------------------------|--|
| Antenna Type | LX - ValuLine® Low Wind Load Antenna, dual-polarized |
| Polarization | Dual |
| Side Struts, Included | 1 |
| Side Struts, Optional | 1 |

Dimensions

| | |
|--------------------------|--------------|
| Diameter, nominal | 1.8 m 6 ft |
|--------------------------|--------------|

Electrical Specifications

| | |
|---|-------------------|
| Operating Frequency Band | 5.925 – 7.125 GHz |
| Gain, Low Band | 37.6 dBi |
| Gain, Mid Band | 38.1 dBi |
| Gain, Top Band | 38.6 dBi |
| Boresite Cross Polarization Discrimination (XPD) | 33 dB |
| Front-to-Back Ratio | 60 dB |
| Beamwidth, Horizontal | 1.9 ° |
| Beamwidth, Vertical | 1.9 ° |
| Return Loss | 23.9 dB |
| VSWR | 1.14 |
| Radiation Pattern Envelope Reference (RPE) | 7438 |

Electrical Compliance IC 3059A | IC 3064A | US FCC Part 101A | US FCC Part 74A

Electrical Specifications, Band 2

Operating Frequency Band 5.725 – 5.850 GHz

Gain, Mid Band 37.8 dBi

Beamwidth, Horizontal 2.1 °

Mechanical Specifications

Compatible Mounting Pipe Diameter 115 mm | 4.5 in

Fine Azimuth Adjustment Range ±5°

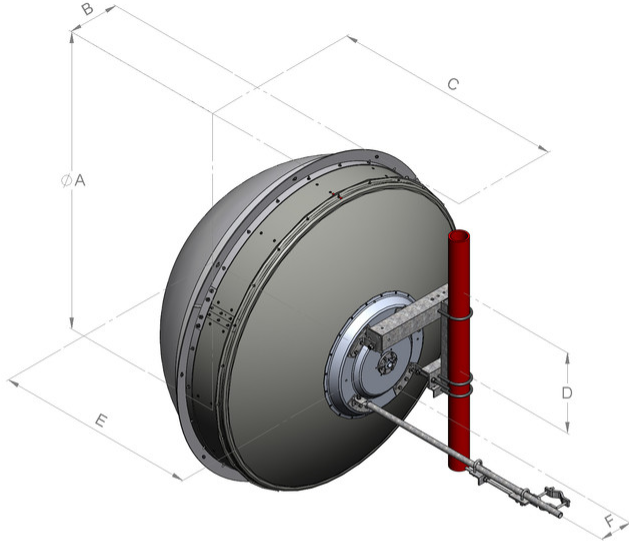
Fine Elevation Adjustment Range ±15°

Wind Speed, operational 180 km/h | 111.847 mph

Wind Speed, survival 200 km/h | 124.274 mph

Antenna Dimensions and Mounting Information

HX6

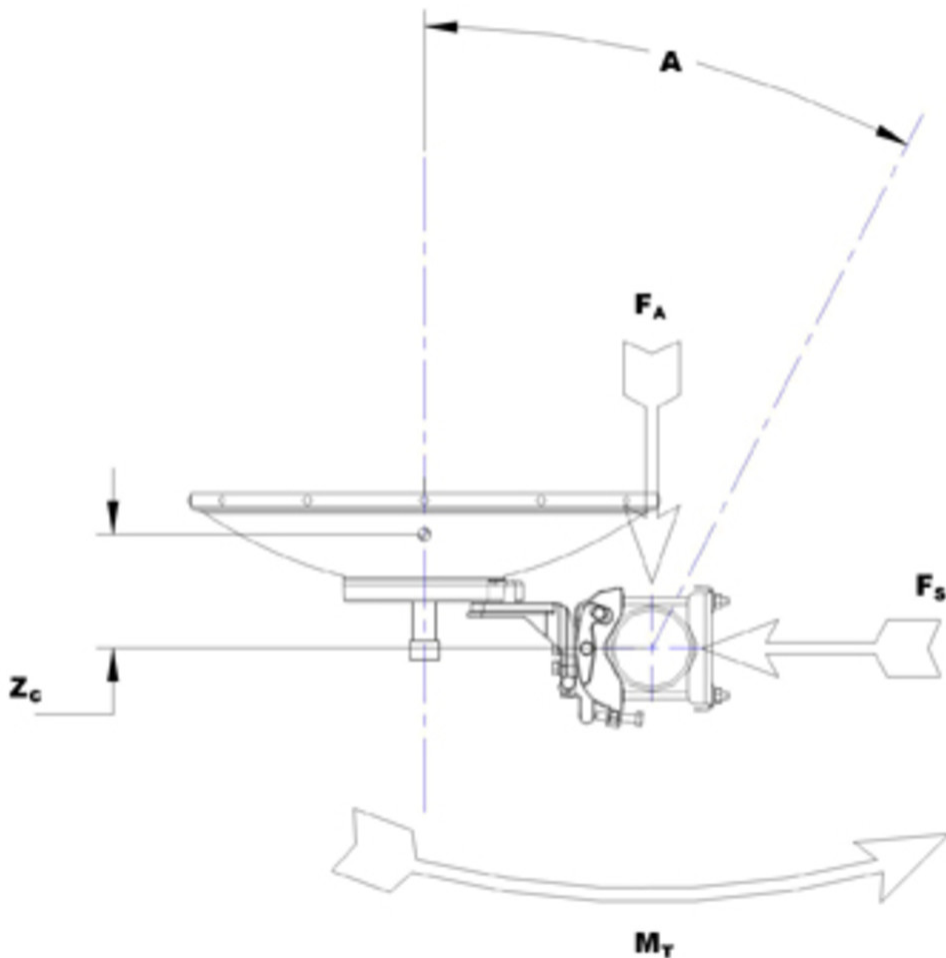


| Dimensions in inches (mm) | | | | | | |
|---------------------------|-------------|------------|-------------|------------|-------------|-----------|
| Antenna size, ft (m) | A | B | C | D | E | F |
| 6 (1.8) | 76.5 (1942) | 13.4 (340) | 60.0 (1523) | 20.9 (530) | 51.9 (1317) | 8.4 (214) |

Wind Forces at Wind Velocity Survival Rating

| | |
|--|-------------------------------|
| Axial Force (FA) | 4670 N 1,049.858 lbf |
| Angle a for MT Max | -120 ° |
| Side Force (FS) | 2050 N 460.858 lbf |
| Twisting Moment (MT) | 25003 N-m 221,295.203 in lb |
| Force on Inboard Strut Side | 2900 N 651.946 lbf |
| Zcg without Ice | 490 mm 19.291 in |
| Zcg with 1/2 in (12 mm) Radial Ice | 540 mm 21.26 in |
| Weight with 1/2 in (12 mm) Radial Ice | 191 kg 421.082 lb |

Wind Forces at Wind Velocity Survival Rating Image



Packaging and Weights

Weight, net

86 kg | 189.597 lb

* Footnotes

Operating Frequency Band

Bands correspond with CCIR recommendations or common allocations used throughout the world. Other ranges can be accommodated on special order.

Gain, Mid Band

For a given frequency band, gain is primarily a function of antenna size. The gain of Andrew antennas is determined by either gain by comparison or by computer integration of the measured antenna patterns.

Boresite Cross Polarization Discrimination (XPD)

The difference between the peak of the co-polarized main beam and the maximum cross-polarized signal over an angle twice the 3 dB beamwidth

of the co-polarized main beam.

Front-to-Back Ratio

Denotes highest radiation relative to the main beam, at $180^\circ \pm 40^\circ$, across the band. Production antennas do not exceed rated values by more than 2 dB unless stated otherwise.

Return Loss

The figure that indicates the proportion of radio waves incident upon the antenna that are rejected as a ratio of those that are accepted.

VSWR

Maximum; is the guaranteed Peak Voltage-Standing-Wave-Ratio within the operating band.

Radiation Pattern Envelope Reference (RPE)

Radiation patterns define an antenna's ability to discriminate against unwanted signals. Under still dry conditions, production antennas will not have any peak exceeding the current RPE by more than 3dB, maintaining an angular accuracy of $\pm 1^\circ$ throughout

Wind Speed, operational

For VHLP(X), SHP(X), HX and USX antennas, the wind speed where the maximum antenna deflection is 0.3 x the 3 dB beam width of the antenna. For other antennas, it is defined as a deflection is equal to or less than 0.1 degrees.

Wind Speed, survival

The maximum wind speed the antenna, including mounts and radomes, where applicable, will withstand without permanent deformation. Realignment may be required. This wind speed is applicable to antenna with the specified amount of radial ice.

Axial Force (FA)

Maximum forces exerted on a supporting structure as a result of wind from the most critical direction for this parameter. The individual maximums specified may not occur simultaneously. All forces are referenced to the mounting pipe.

Side Force (FS)

Maximum side force exerted on the mounting pipe as a result of wind from the most critical direction for this parameter. The individual maximums specified may not occur simultaneously. All forces are referenced to the mounting pipe.

Twisting Moment (MT)

Maximum forces exerted on a supporting structure as a result of wind from the most critical direction for this parameter. The individual maximums specified may not occur simultaneously. All forces are referenced to the mounting pipe.