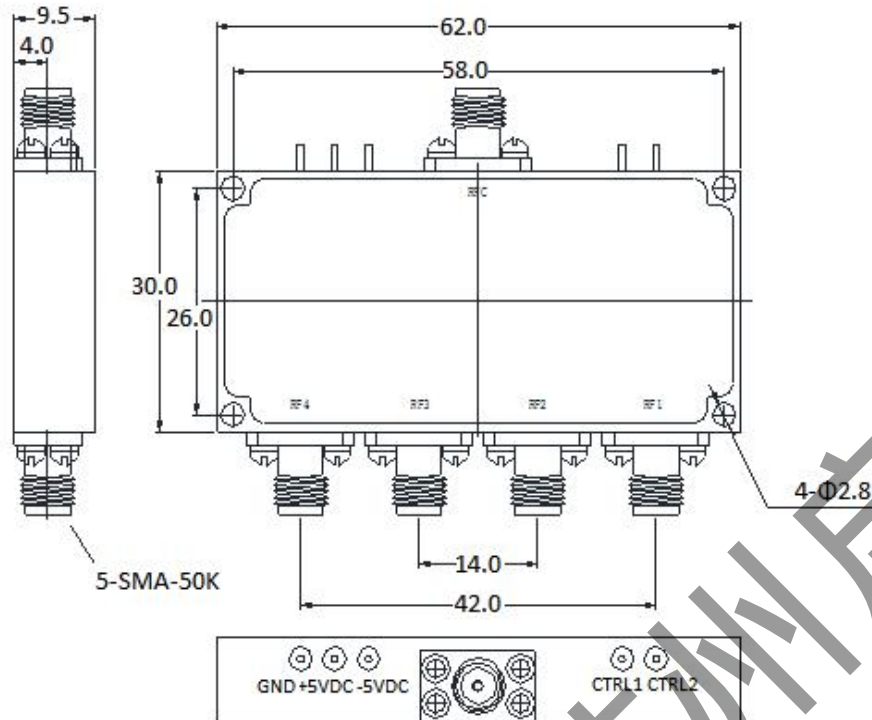


SW-0.1G18G-4A-S is a single pole, four throw, absorptive switch designed to operate over the 0.1 to 18GHz frequency range. This model is designed to handle 20dBm max input power. The switch offers fast switching speeds of 200nsec max., low insertion loss of 6.0dB and high isolation of 50dB. The DC supplies are 200mA @ ±5 V.

Mechanical Outline(Unit: mm):



Specifications:

Frequency:	0.1 to 18GHz
Insertion Loss:	5.0dB max @12G 6.0dB max @18G
Isolation:	60dB min @12G 6.0dB min @18G
Switching Speed:	200ns
Power Handling:	20dBm max
VSWR:	2.0:1 max
Voltage/Current:	200mA @ ±5 V
Control logic:	TTL 11: RF1 on TTL 01: RF2 on TTL 10: RF3 on TTL 00: RF4 on
Connectors:	SMA Female
Type:	Absorptive
Finish:	Gold plating

Environmental Ratings:

Temperature:	-25°C to +71 °C Operating -65 °C to +100 °C Non-Operating
Vibration:	MIL-STD-202F, Method 204D Cond. B
Altitude:	MIL-STD-202F, Method 105C Cond. B

Pin Diode Switch SW-0.1G18G-4A-S			
DRAWN:	DWG NO.:	REV CODE: Rev.1.0	 www.connphy.com sales@qiidao.com
CHECKRD:	DATE: 20/05/16	SHEET : 1 OF 1	
ISSUED:	SIZE: A	SCALE : N / A	
			Notes: SPEC ARE SUBJECT TO CHANGE WITHOUT NOTICE.