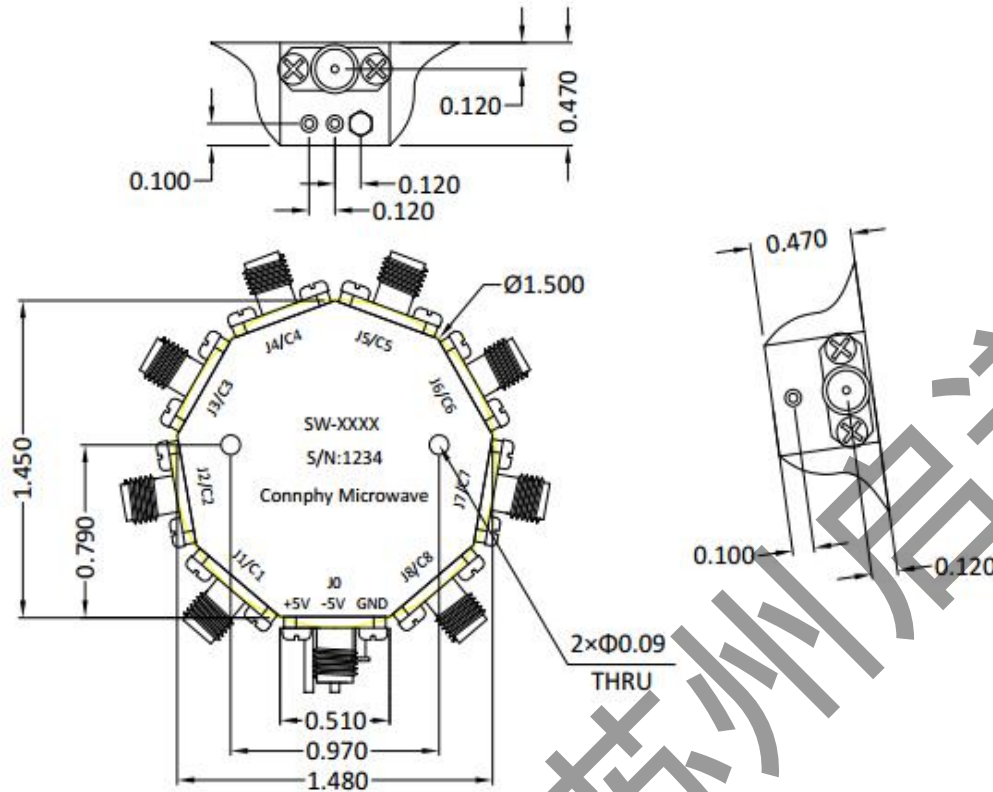


**SW-0.5G40G-8A-K** is a single pole, eight throw, absorptive switch designed to operate over the 0.5 to 40.0GHz frequency range. This model is designed to handle 23dBm max input power. The switch offers fast switching speeds of 50nsec max., low insertion loss of 5.0dB typ. and high isolation of 55dB min. The DC supplies are 100mA @ ±5 V.

**Mechanical Outline(Unit: Inch):**



**Specifications:**

Frequency: 0.5 to 40.0GHz  
 Insertion Loss: 5.0dB typ. 7.1dB max  
 Isolation: 70dB typ. 55dB min  
 Switching Speed: 50ns max  
 Power Handling: 23dBm max  
 VSWR: 3.0:1 max  
 Voltage/Current: 100mA @ ±5 V typical  
 Connectors: 2.92 Female  
 Type: Absorptive  
 Control logic: TTL  
 TTL Truth Table: Cn=0, Others=1; Path State: J0-Jn

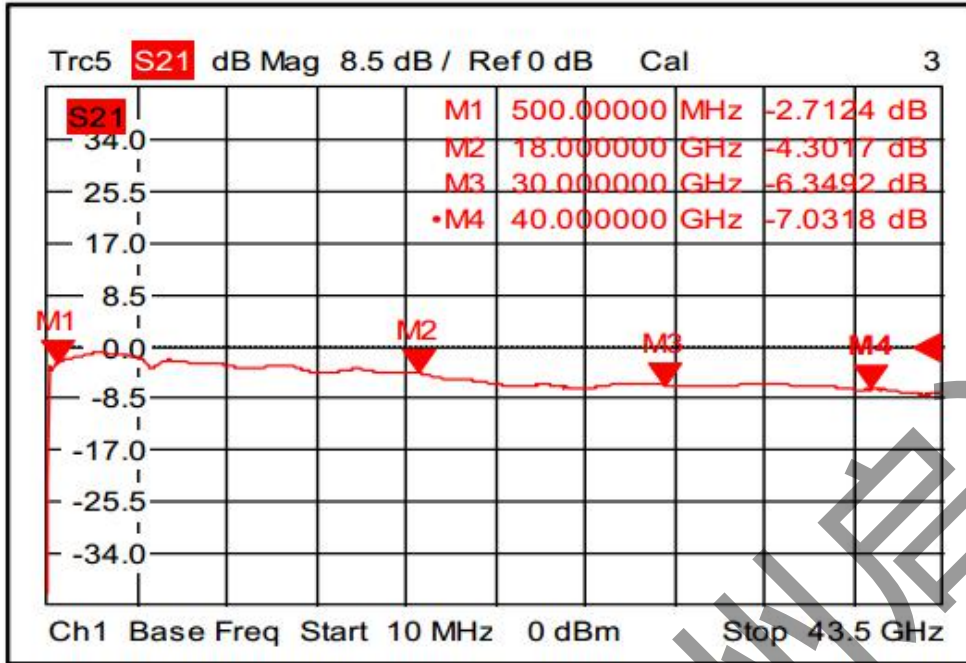
**Environmental Ratings:**

Temperature: -25°C to +71 °C Operating  
 -65 °C to +100 °C Non-Operating  
 Vibration: MIL-STD-202F, Method 204D Cond. B  
 Altitude: MIL-STD-202F, Method 105C Cond. B

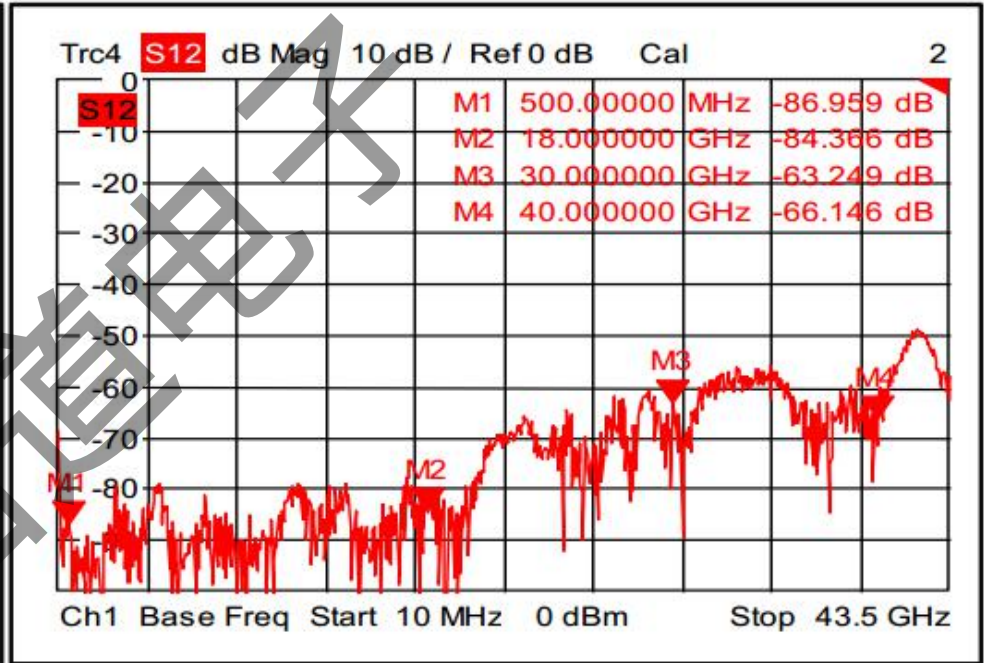
Pin Diode Switch SW-0.5G40G-8A-K			
DRAWN:	DWG NO.:	REV CODE: Rev.1.0	 <a href="http://www.connphy.com">www.connphy.com</a> <a href="mailto:sales@qiidao.com">sales@qiidao.com</a>
CHECKRD:	DATE: 20/05/16	SHEET : 1 OF 3	
ISSUED:	SIZE: A	SCALE : N / A	
			Notes: SPEC ARE SUBJECT TO CHANGE WITHOUT NOTICE.

**SW-0.5G40G-8A-K** is a single pole, eight throw, absorptive switch designed to operate over the 0.5 to 40.0GHz frequency range. This model is designed to handle 23dBm max input power. The switch offers fast switching speeds of 50nsec max., low insertion loss of 5.0dB typ. and high isolation of 55dB min. The DC supplies are 100mA @ ±5 V.

**Typical Performance:**



**Insertion Loss**

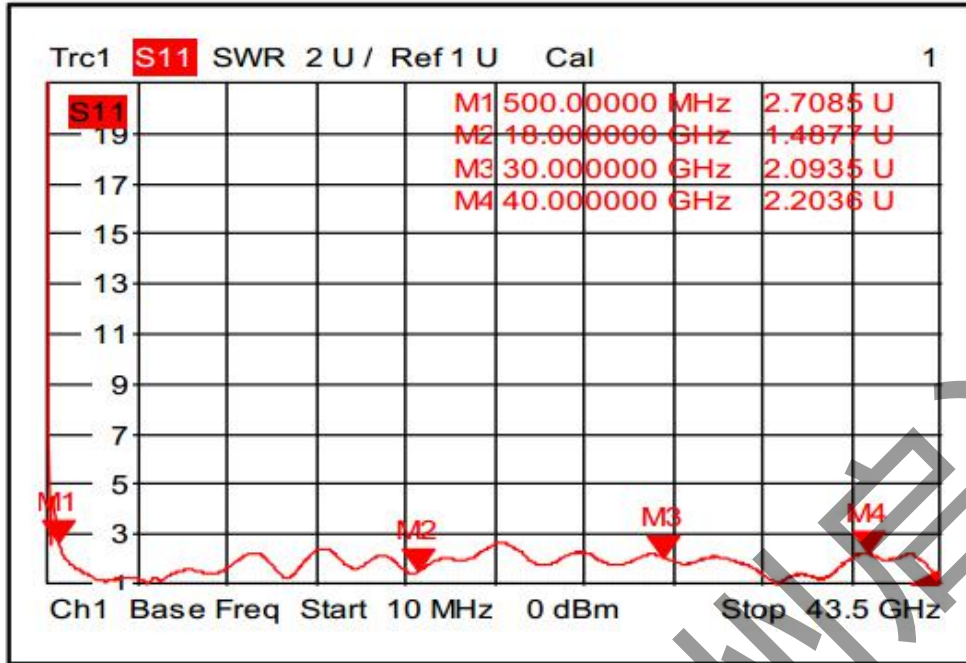


**Isolation**

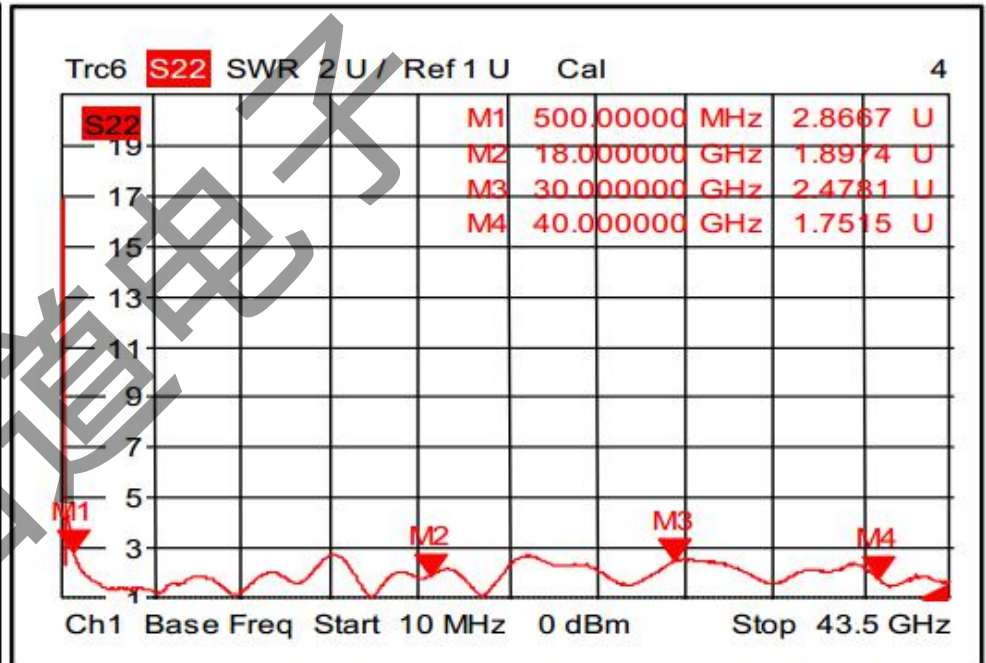
Pin Diode Switch SW-0.5G40G-8A-K			
DRAWN:	DWG NO.:	REV CODE: Rev.1.0	 <a href="http://www.connphy.com">www.connphy.com</a> <a href="mailto:sales@qiidao.com">sales@qiidao.com</a>
CHECKRD:	DATE: 20/05/16	SHEET : 2 OF 3	
ISSUED:	SIZE: A	SCALE : N / A	
			Notes: SPEC ARE SUBJECT TO CHANGE WITHOUT NOTICE.

SW-0.5G40G-8A-K is a single pole, eight throw, absorptive switch designed to operate over the 0.5 to 40.0GHz frequency range. This model is designed to handle 23dBm max input power. The switch offers fast switching speeds of 50nsec max., low insertion loss of 5.0dB typ. and high isolation of 55dB min. The DC supplies are 100mA @ ±5 V.

**Typical Performance:**



**Input VSWR**



**Output VSWR**

Pin Diode Switch SW-0.5G40G-8A-K			
DRAWN:	DWG NO.:	REV CODE: Rev.1.0	 <a href="http://www.connphy.com">www.connphy.com</a> <a href="mailto:sales@qiidao.com">sales@qiidao.com</a>
CHECKRD:	DATE: 20/05/16	SHEET : 3 OF 3	
ISSUED:	SIZE: A	SCALE : N / A	
			Notes: SPEC ARE SUBJECT TO CHANGE WITHOUT NOTICE.