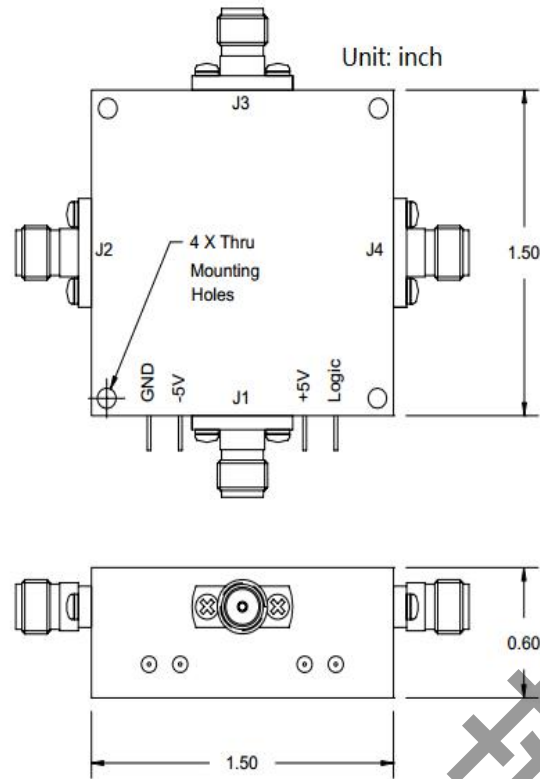


SW-20G22G-DPDTR-3 is a dual pole, dual throw, reflective switch designed to operate over the 20 to 22GHz frequency range. This model is designed to handle 100 mW average input power. The switch offers fast switching speeds of 100nsec maximum, low insertion loss of 3.2dB and high isolation of 50dB. The DC supplies are ± 5 V @100 mA.

Mechanical Outline:




Specifications:

Frequency:	20 to 22GHz
Insertion Loss:	3.2dB
Isolation:	50dB
Switching Speed:	100ns max.
Power Handling:	100 mW (20dBm)
VSWR:	1.7:1
Driver:	TTL
Voltage/Current:	± 5 V @100 mA
Control logic:	TTL
Connectors:	3.5 Female Reflective
Type:	Reflective

Environmental Ratings:

Temperature:	-25°C to +71 °C Operating -65 °C to +100 °C Non-Operating
Vibration:	MIL-STD-202F, Method 204D Cond. B
Altitude:	MIL-STD-202F, Method 105C Cond. B
Temperature Cycle:	MIL-STD-202F, Method 107D Cond. A

Pin Diode Switch SW-20G22G-DPDTR-3			
DRAWN:	DWG NO.:	REV CODE: Rev.1.0	 www.connphy.com sales@qiidao.com
CHECKRD:	DATE: 20/05/16	SHEET : 1 OF 1	
ISSUED:	SIZE: A	SCALE : N / A	
			Notes: SPEC ARE SUBJECT TO CHANGE WITHOUT NOTICE.