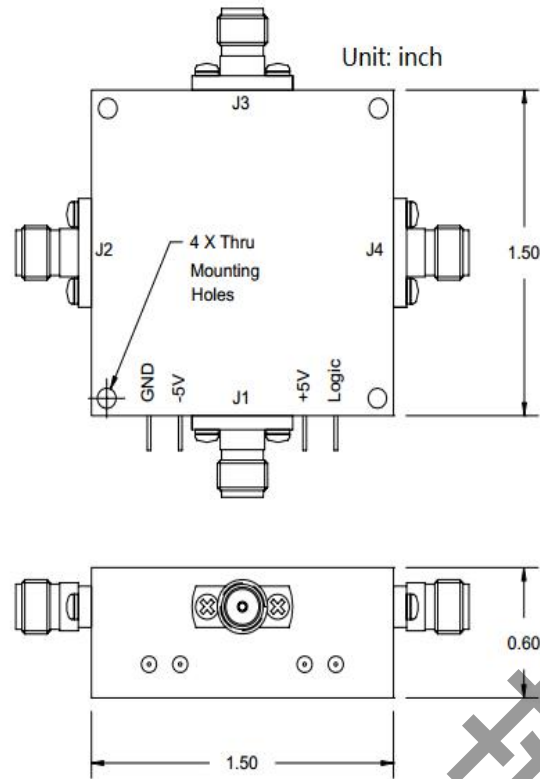


SW-37G40G-DPDTR-K is a dual pole, dual throw, reflective switch designed to operate over the 37 to 40GHz frequency range. This model is designed to handle 100 mW average input power. The switch offers fast switching speeds of 100nsec maximum, low insertion loss of 4dB and high isolation of 30dB. The DC supplies are ± 5 V @100 mA.

Mechanical Outline:




Environmental Ratings:

Temperature: -25°C to +71 °C Operating
 -65 °C to +100 °C Non-Operating
 Vibration: MIL-STD-202F, Method 204D Cond. B
 Altitude: MIL-STD-202F, Method 105C Cond. B
 Temperature Cycle: MIL-STD-202F, Method 107D Cond. A

Specifications:

Frequency: 37 to 40GHz
 Insertion Loss: 4dB
 Isolation: 30dB
 Switching Speed: 100ns max.
 Power Handling: 100 mW (20dBm)
 VSWR: 2.1:1
 Driver: TTL
 Voltage/Current: ± 5 V @100 mA
 Control logic: TTL
 Connectors: 2.92 Female
 Type: Reflective

Pin Diode Switch SW-37G40G-DPDTR-K			
DRAWN:	DWG NO.:	REV CODE: Rev.1.0	 www.connphy.com sales@qiidao.com
CHECKRD:	DATE: 20/05/16	SHEET : 1 OF 1	
ISSUED:	SIZE: A	SCALE : N / A	
			Notes: SPEC ARE SUBJECT TO CHANGE WITHOUT NOTICE.